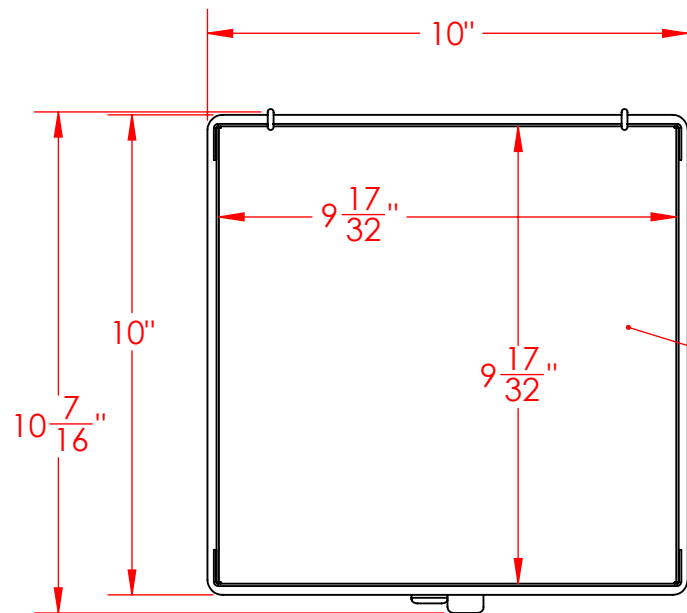
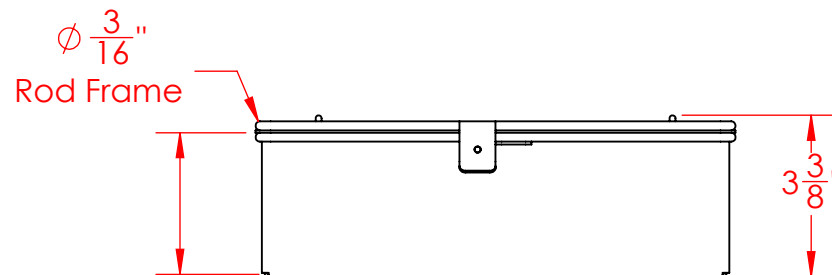
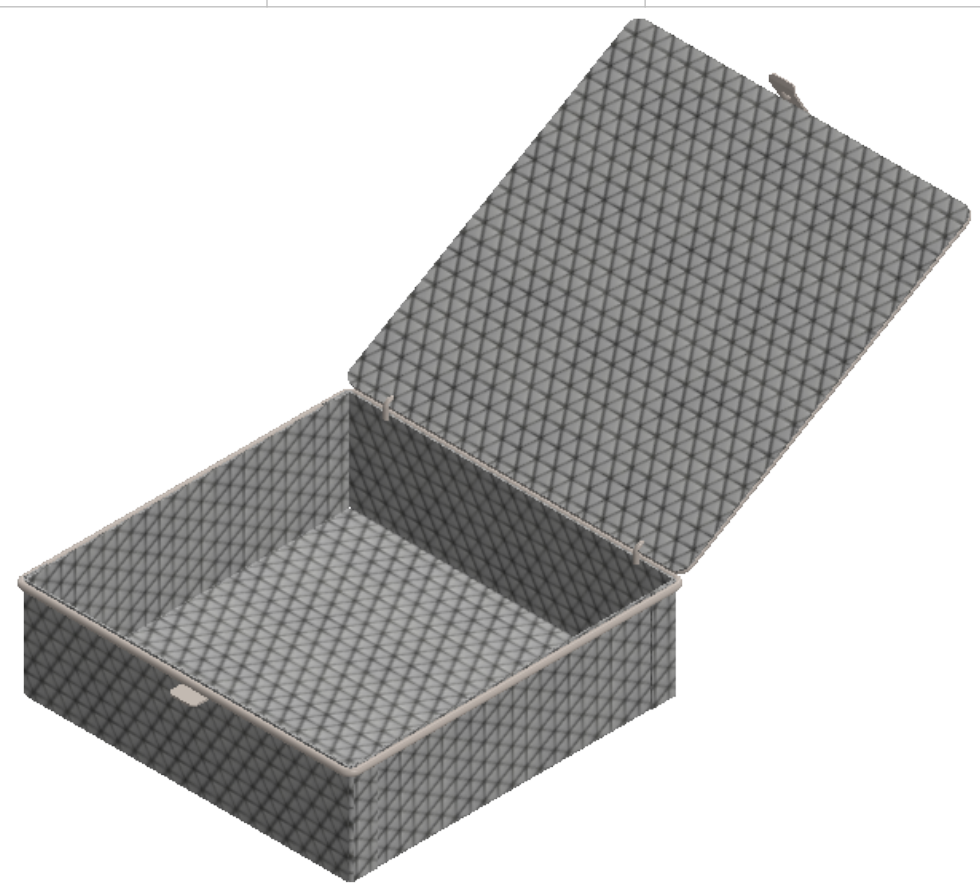


8 7 6 5 4 3 2 1

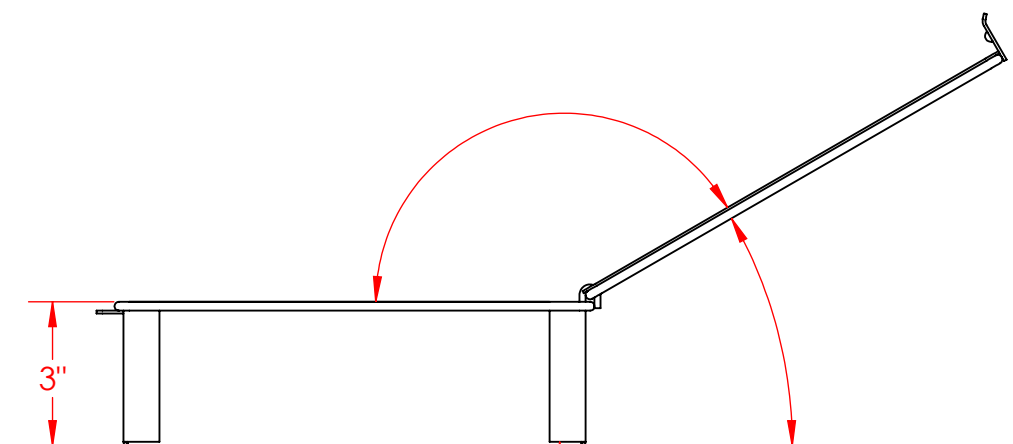
D
C
B
A



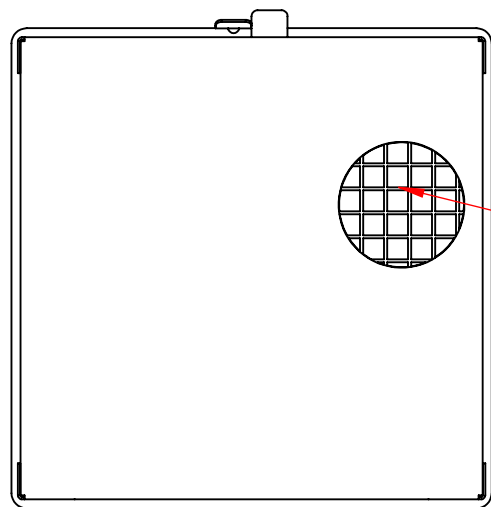
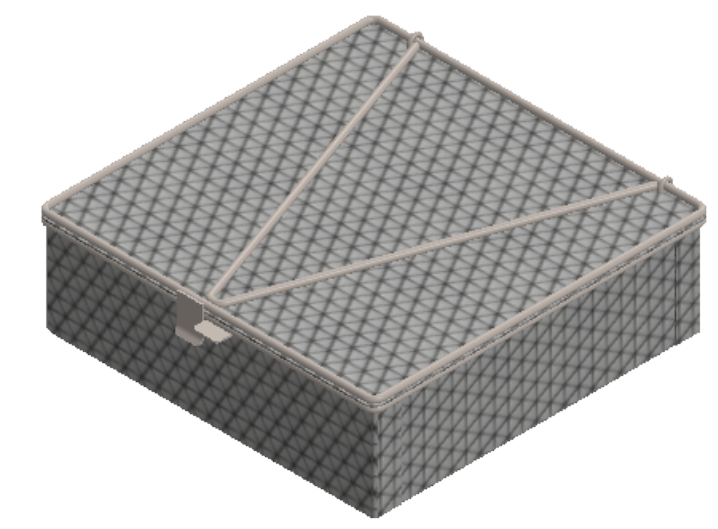
Lid Removed from View to show Approximate Inside Dimensions



$\phi \frac{3}{16}$ " Rod Frame
 $2 \frac{15}{16}$ " Height Under Lid



Mesh Flaps to Close and Secure Corners



One Piece Mesh Body of 2 Mesh x .063" Welded Wire (.437" Openings, 76% Open Area)

UNLESS OTHERWISE SPECIFIED:
DIMENSIONS ARE IN INCHES
TOLERANCES:
FRACTIONAL $\pm 1/16$ "
ANGULAR: ± 5 DEG.
TWO PLACE DECIMAL ± 0.03
THREE PLACE DECIMAL ± 0.015

EST WGT
1.9 lbs.
MATERIAL
304 Stainless Steel
FINISH
Natural

Light Duty Mesh Basket: 10Lx10Wx3H, 304 SS, Hinged Lid with Thumb Clasp, No Handles, Mesh: 2 x .063

SIZE **B** DWG. NO. FLB-100100030-L02S

PROPRIETARY AND CONFIDENTIAL
THE INFORMATION CONTAINED IN THIS DRAWING IS THE SOLE PROPERTY OF THREE M TOOL. ANY REPRODUCTION IN PART OR AS A WHOLE WITHOUT THE WRITTEN PERMISSION OF THREE M TOOL IS PROHIBITED.

DO NOT SCALE DRAWING SCALE: 1:4 SHEET 1 OF 1

8 7 6 5 4 3 2 1